

NPG12-50Ah 12V50Ah

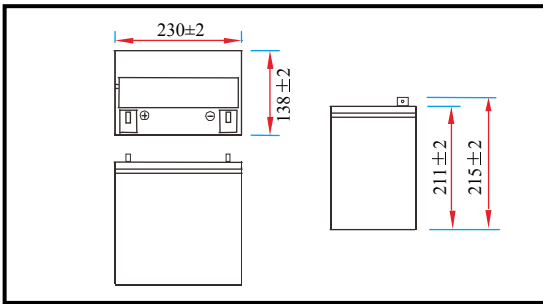
Valve Regulated Lead Acid Battery



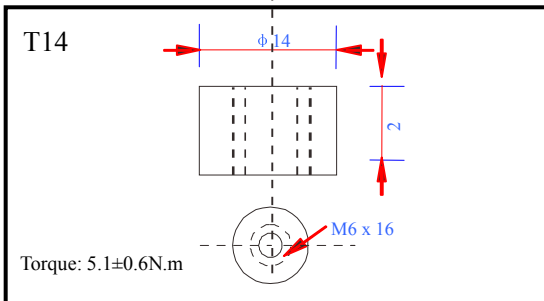
Specifications

Nominal voltage	12V (6 cells per unit)	
Rated capacity (10HR)	50Ah/10.8V	
Dimensions	Length	230±2mm (9.06inch)
	Width	138±2mm (5.43inch)
	Height	211±2mm (8.31inch)
	Total height	215±2mm (8.46inch)
Approx. weight	17.30kg (38.14lbs)±3%	

Outer dimensions (mm)



Terminal type (mm)



Characteristics

Capacity (25°C)	10HR (10.8V)	50Ah
	3HR (10.8V)	37.5Ah
	1HR (10.5V)	27.5Ah
Terminal type		T14
Internal resistance (Fully charged, 25°C)		Approx. 7mΩ
Capacity affected by temperature (10HR)	40°C	102%
	25°C	100%
	0°C	85%
	-15°C	65%
Self-discharge (25°C)	3 months	Remaining capacity: 91%
	6 months	Remaining capacity: 82%
	12 months	Remaining capacity: 65%
Nominal operating temperature		25°C±3°C (77°F±5°F)
Operating temperature range	Discharge	-15°C~50°C (5°F~122°F)
	Charge	-10°C~50°C (14°F~122°F)
	Storage	-20°C~50°C (-4°F~122°F)
Float charging voltage (25°C)		13.50 to 13.80V Temperature compensation: -18mV/°C/Block
Cyclic charging voltage (25°C)		14.50 to 14.70V Temperature compensation: -30mV/°C/Block
Maximum charging current		10A
Maximum discharge current		500A (5 sec.)
Design life	12 years for floating (25°C)	
	Eurobat (20°C):10-12 years, long life.	

Construction

Component	Positive plate	Negative plate	Container	Cover	Separator	Electrolyte	Safety valve	Terminal
Raw material	Lead dioxide	Lead	ABS	ABS	AGM	Gel	Rubber	Copper

Constant current discharge characteristics unit: Ampere/Block (at 25°C, 77°F)

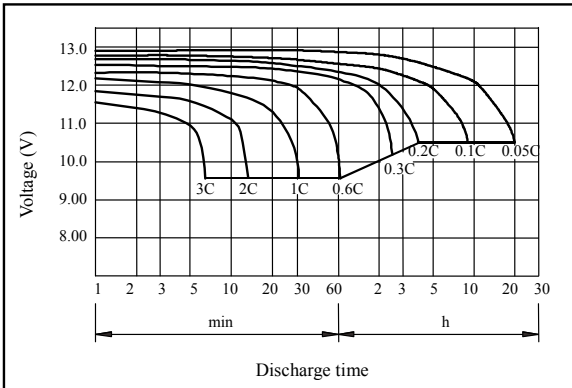
F.V/Time	10min	15min	30min	60min	2h	3h	4h	5h	8h	10h	20h
9.60V	97.5	80.0	48.5	30.0	18.3	13.0	10.2	8.67	6.12	5.09	2.70
9.90V	94.6	78.1	47.5	29.6	18.2	12.9	10.1	8.62	6.08	5.08	2.69
10.2V	90.7	75.2	46.1	28.8	18.0	12.8	10.1	8.56	6.04	5.07	2.68
10.5V	86.8	72.6	45.0	27.9	17.7	12.8	10.0	8.50	6.00	5.04	2.67
10.8V	81.9	68.8	43.3	27.0	17.3	12.5	9.7	8.25	5.82	5.00	2.65

Constant power discharge characteristics unit: Watt/Block (at 25°C, 77°F)

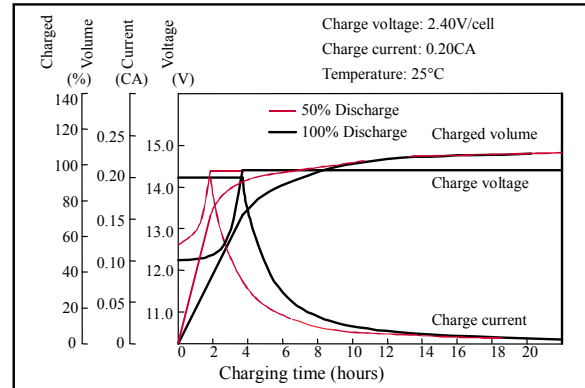
F.V/Time	10min	15min	30min	60min	2h	3h	4h	5h	8h	10h	20h
9.60V	1053	878	544	342	212	153	120	102	72.7	60.8	32.4
9.90V	1021	857	533	337	210	152	119	102	72.3	60.7	32.3
10.2V	979	826	517	328	208	151	118	101	71.8	60.5	32.2
10.5V	937	798	504	318	205	150	118	100	71.3	60.1	32.0
10.8V	885	755	486	308	200	147	114	97.5	69.1	59.7	31.8

Note 1: Above characteristics data can be obtained within three charge and discharge cycles.

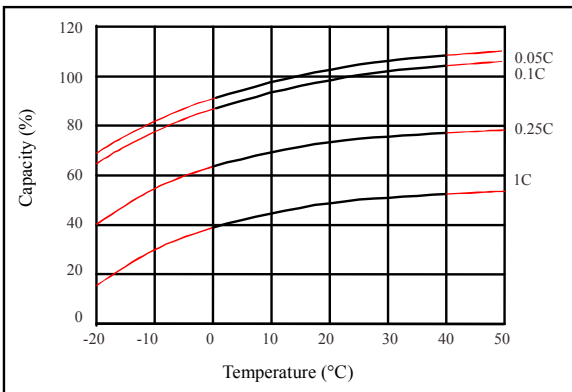
● Discharge characteristics (25°C)



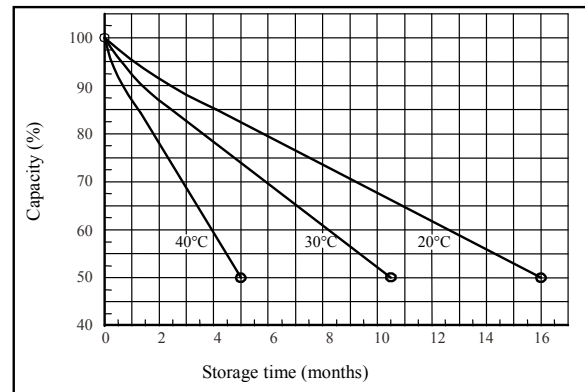
● Charging characteristics (25°C)



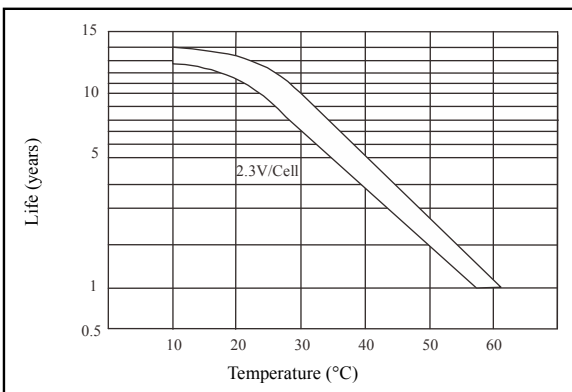
● Temperature effects on capacity



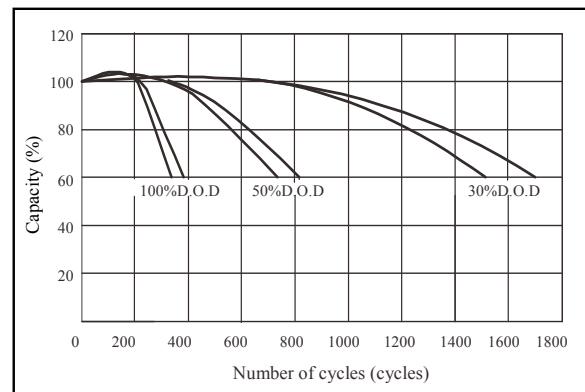
● Self-discharge characteristics



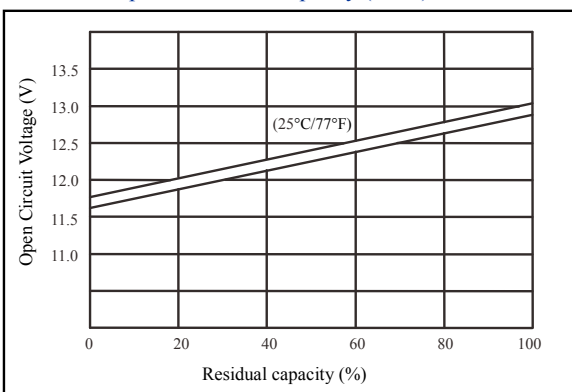
● Floating life on temperature



● Cycle life on D.O.D (25°C)



● Relationship for OCV and capacity (25°C)



● Relationship for charging voltage and temperature

