

NPD6-100Ah 6V100Ah

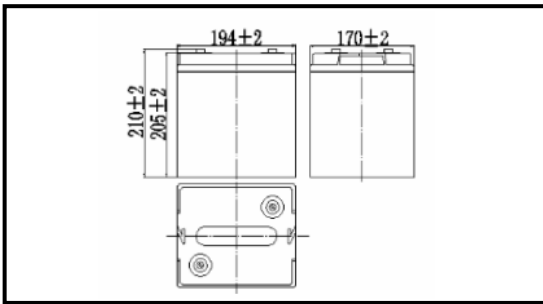
Valve Regulated Lead Acid Battery



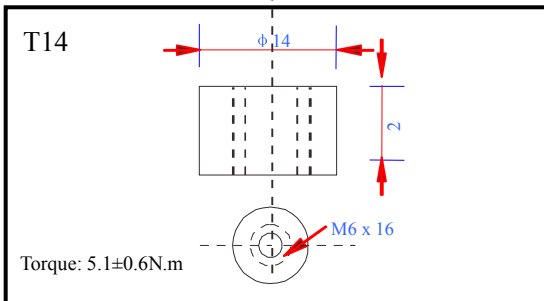
Specifications

Nominal voltage	6V (3 cells per unit)	
Rated capacity (10HR)	100Ah/5.4V	
Dimensions	Length	194±2mm (7.64inch)
	Width	170±2mm (6.69inch)
	Height	205±2mm (8.07inch)
	Total height	210±2mm (8.27inch)
Approx. weight	16.00kg (35.30lbs)±3%	

Outer dimensions (mm)



Terminal type (mm)



Characteristics

Capacity (25°C)	10HR (5.4V)	100Ah
	3HR (5.4V)	75Ah
	1HR (5.25V)	57Ah
Terminal type		T14
Internal resistance (Fully charged, 25°C)		Approx. 2.8mΩ
Capacity affected by temperature (10HR)	40°C	102%
	25°C	100%
	0°C	85%
	-15°C	65%
Self-discharge (25°C)	3 months	Remaining capacity: 91%
	6 months	Remaining capacity: 82%
	12 months	Remaining capacity: 65%
Nominal operating temperature		25°C±3°C (77°F±5°F)
Operating temperature range	Discharge	-15°C~50°C (5°F~122°F)
	Charge	-10°C~50°C (14°F~122°F)
	Storage	-20°C~50°C (-4°F~122°F)
Float charging voltage (25°C)		6.75 to 6.90V Temperature compensation: -9mV/°C/Block
Cyclic charging voltage (25°C)		7.25 to 7.50V Temperature compensation: -15mV/°C/Block
Maximum charging current		30A
Maximum discharge current		800A (5 sec.)
Design life	10 years for floating (25°C)	
	Eurobat (20°C): 6-9 years, general purpose.	

Construction

Component	Positive plate	Negative plate	Container	Cover	Separator	Electrolyte	Safety valve	Terminal
Raw material	Lead dioxide	Lead	ABS	ABS	AGM	Sulfuric acid	Rubber	Copper

Constant current discharge characteristics unit: Ampere/Block (at 25°C, 77°F)

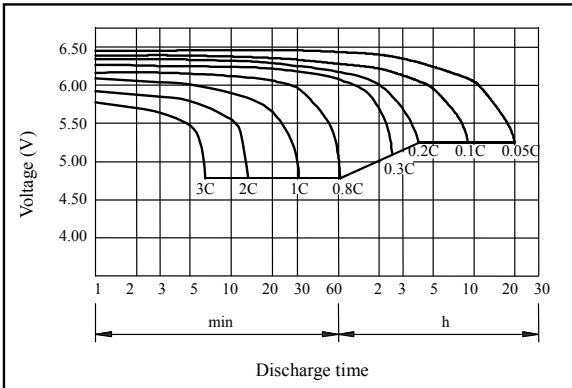
F.V/Time	10min	15min	30min	60min	2h	3h	4h	5h	8h	10h	20h
4.80V	225	173	104	63.7	37.6	27.1	21.6	18.5	12.7	10.5	5.56
4.95V	218	169	101	62.7	37.4	26.9	21.5	18.4	12.6	10.5	5.55
5.10V	209	163	98.3	61.1	37.1	26.8	21.4	18.3	12.6	10.4	5.53
5.25V	200	157	96.0	59.2	36.5	26.6	21.2	18.1	12.5	10.4	5.50
5.40V	189	149	92.4	57.3	35.6	25.8	20.6	17.6	12.1	10.3	5.46

Constant power discharge characteristics unit: Watt/Block (at 25°C, 77°F)

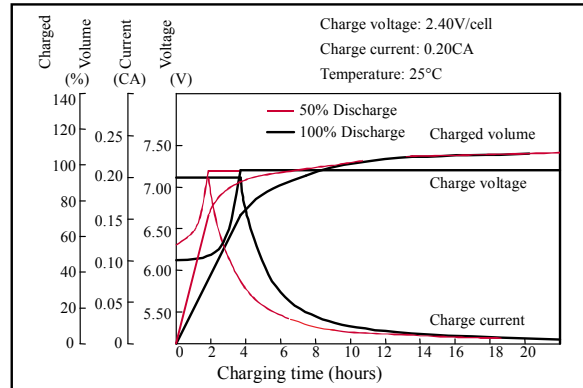
F.V/Time	10min	15min	30min	60min	2h	3h	4h	5h	8h	10h	20h
4.80V	1213	950	581	363	218	159	127	109	75.5	62.6	33.3
4.95V	1176	927	569	357	217	158	127	109	75.1	62.5	33.3
5.10V	1128	893	552	348	215	157	126	108	74.5	62.3	33.2
5.25V	1079	863	538	337	211	156	125	107	74.0	61.9	33.0
5.40V	1019	817	519	327	206	152	121	104	71.8	61.5	32.8

Note 1: Above characteristics data can be obtained within three charge and discharge cycles.

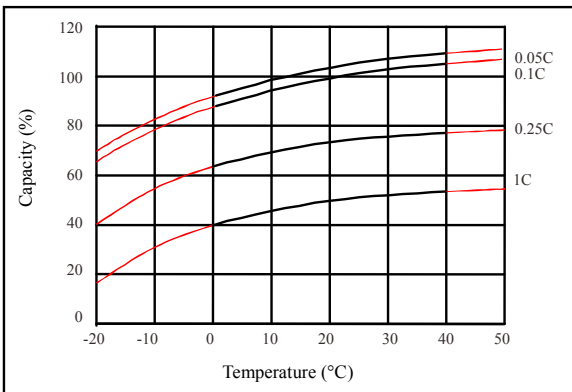
● Discharge characteristics (25°C)



● Charging characteristics (25°C)



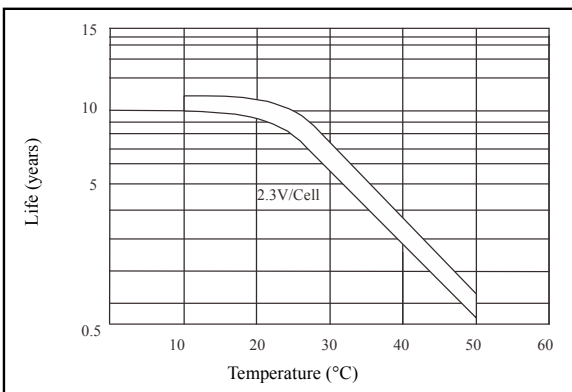
● Temperature effects on capacity



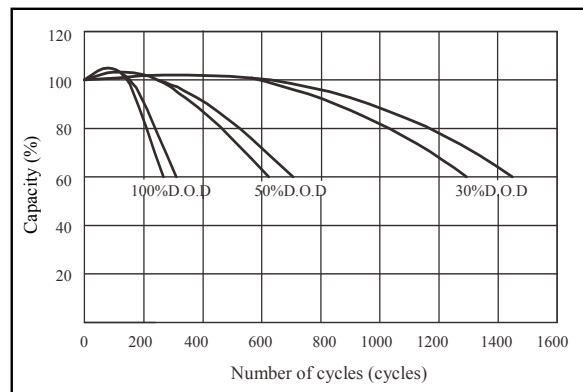
● Self-discharge characteristics



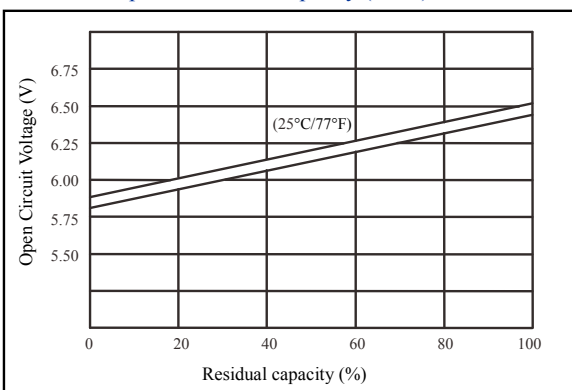
● Floating life on temperature



● Cycle life on D.O.D (25°C)



● Relationship for OCV and capacity (25°C)



● Relationship for charging voltage and temperature

