

NP6-100Ah 6V100Ah

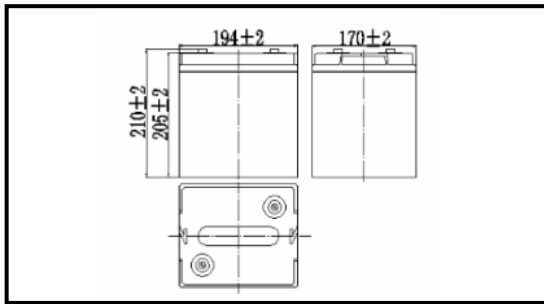
Valve Regulated Lead Acid Battery



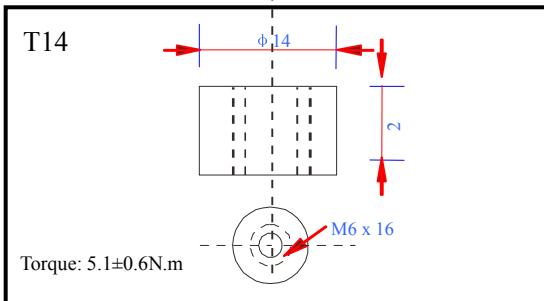
Specifications

Nominal voltage	6V (3 cells per unit)	
Rated capacity (10HR)	100Ah/5.4V	
Dimensions	Length	194±2mm (7.64inch)
	Width	170±2mm (6.69inch)
	Height	205±2mm (8.07inch)
	Total height	210±2mm (8.27inch)
Approx. weight	14.80kg (32.60lbs)±4%	

Outer dimensions (mm)



Terminal type (mm)



Characteristics

Capacity (25°C)	10HR (5.4V)	100Ah
	3HR (5.4V)	75Ah
	1HR (5.25V)	55Ah
Terminal type		T14
Internal resistance (Fully charged, 25°C)		Approx. 3mΩ
Capacity affected by temperature (10HR)	40°C	102%
	25°C	100%
	0°C	85%
	-15°C	65%
Self-discharge (25°C)	3 months	Remaining capacity: 91%
	6 months	Remaining capacity: 82%
	12 months	Remaining capacity: 65%
Nominal operating temperature		25°C±3°C (77°F±5°F)
Operating temperature range	Discharge	-15°C~50°C (5°F~122°F)
	Charge	-10°C~50°C (14°F~122°F)
	Storage	-20°C~50°C (-4°F~122°F)
Float charging voltage (25°C)		6.75 to 6.90V Temperature compensation: -9mV/°C/Block
Cyclic charging voltage (25°C)		7.25 to 7.50V Temperature compensation: -15mV/°C/Block
Maximum charging current		30A
Maximum discharge current		800A (5 sec.)
Design life	10 years for floating (25°C)	
	Eurobat (20°C): 10-12 years, long life.	

Construction

Component	Positive plate	Negative plate	Container	Cover	Separator	Electrolyte	Safety valve	Terminal
Raw material	Lead dioxide	Lead	ABS	ABS	AGM	Sulfuric acid	Rubber	Copper

Constant current discharge characteristics unit: Ampere/Block (at 25°C, 77°F)

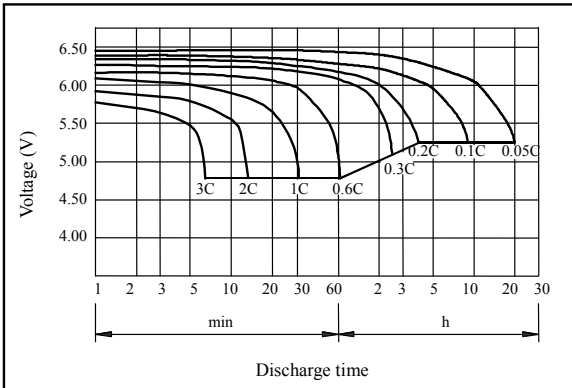
F.V/Time	10min	15min	30min	60min	2h	3h	4h	5h	8h	10h	20h
4.80V	218	168	101	61.8	36.5	26.3	21.0	18.0	12.3	10.2	5.40
4.95V	211	164	98.5	60.9	36.3	26.2	20.9	17.8	12.3	10.2	5.38
5.10V	203	158	95.5	59.3	36.0	26.0	20.7	17.7	12.2	10.1	5.37
5.25V	194	153	93.2	57.5	35.5	25.8	20.6	17.6	12.1	10.1	5.34
5.40V	183	144	89.7	55.6	34.6	25.0	20.0	17.1	11.7	10.0	5.30

Constant power discharge characteristics unit: Watt/Block (at 25°C, 77°F)

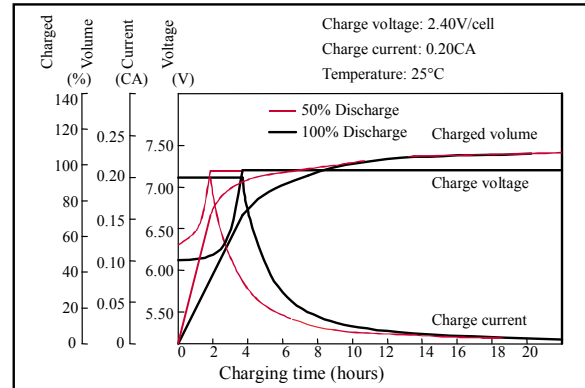
F.V/Time	10min	15min	30min	60min	2h	3h	4h	5h	8h	10h	20h
4.80V	1177	922	564	352	212	155	124	106	73.3	60.8	32.4
4.95V	1142	900	553	347	210	154	123	105	72.9	60.7	32.3
5.10V	1095	867	536	338	208	153	122	105	72.4	60.5	32.2
5.25V	1048	837	523	328	205	152	121	104	71.9	60.1	32.0
5.40V	989	793	503	317	200	147	117	101	69.7	59.7	31.8

Note 1: Above characteristics data can be obtained within three charge and discharge cycles.

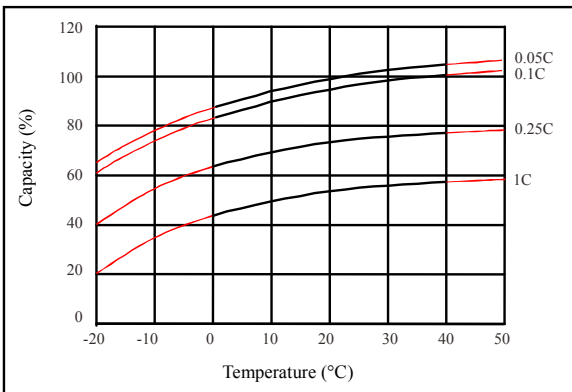
● Discharge characteristics (25°C)



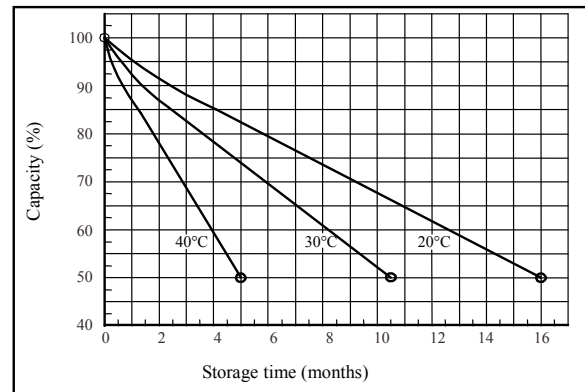
● Charging characteristics (25°C)



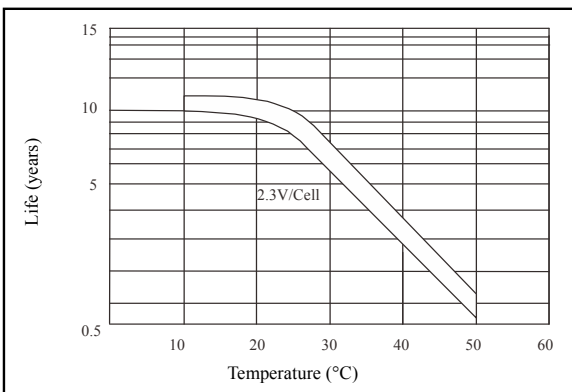
● Temperature effects on capacity



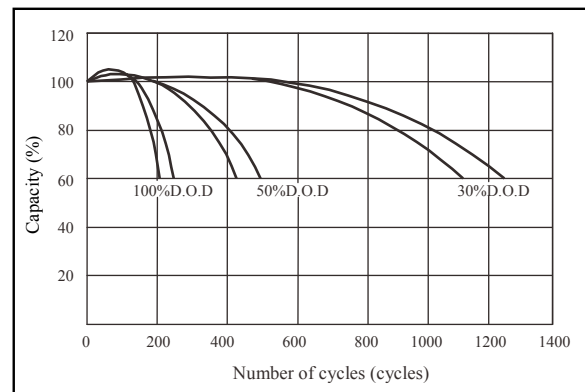
● Self-discharge characteristics



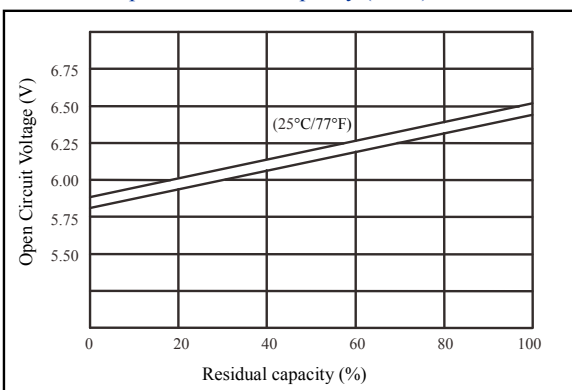
● Floating life on temperature



● Cycle life on D.O.D (25°C)



● Relationship for OCV and capacity (25°C)



● Relationship for charging voltage and temperature

