

FTG12-155Ah 12V155Ah

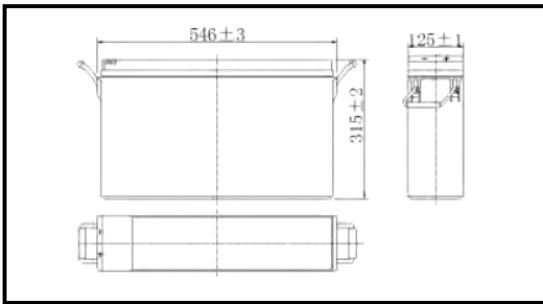
Valve Regulated Lead Acid Battery



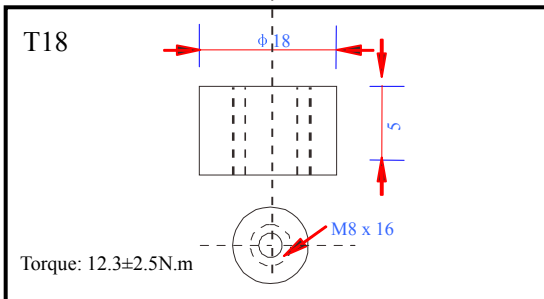
Specifications

Nominal voltage	12V (6 cells per unit)	
Rated capacity (10HR)	155Ah/10.8V	
Dimensions	Length	546±2mm (21.50inch)
	Width	125±2mm (4.92inch)
	Height	315±2mm (12.40inch)
	Total height	315±2mm (12.40inch)
Approx. weight	49.50kg (109.10lbs)±3%	

Outer dimensions (mm)



Terminal type (mm)



Characteristics

Capacity (25°C)	10HR (10.8V)	155Ah
	3HR (10.8V)	117Ah
	1HR (10.5V)	86Ah
Terminal type		T18
Internal resistance (Fully charged, 25°C)		Approx. 4.5mΩ
Capacity affected by temperature (10HR)	40°C	102%
	25°C	100%
	0°C	85%
	-15°C	65%
Self-discharge (25°C)	3 months	Remaining capacity: 91%
	6 months	Remaining capacity: 82%
	12 months	Remaining capacity: 65%
Nominal operating temperature		25°C±3°C (77°F±5°F)
Operating temperature range	Discharge	-15°C~50°C (5°F~122°F)
	Charge	-10°C~50°C (14°F~122°F)
	Storage	-20°C~50°C (-4°F~122°F)
Float charging voltage (25°C)		13.50 to 13.80V Temperature compensation: -18mV/°C/Block
Cyclic charging voltage (25°C)		14.40 to 14.70V Temperature compensation: -30mV/°C/Block
Maximum charging current		31A
Maximum discharge current		1100A (5 sec.)
Design life	12 years for floating (25°C)	
	Eurobat (20°C): 10-12 years, long life.	

Construction

Component	Positive plate	Negative plate	Container	Cover	Separator	Electrolyte	Safety valve	Terminal
Raw material	Lead dioxide	Lead	ABS	ABS	AGM	Gel	Rubber	Copper

Constant current discharge characteristics unit: Ampere/Block (at 25°C, 77°F)

F.V/Time	15min	30min	60min	2h	3h	4h	5h	6h	8h	10h	20h
9.60V	243	147	91.1	56.6	40.3	31.6	26.9	23.7	19	15.8	8.36
9.90V	237	144	89.8	56.3	40.1	31.4	26.7	23.6	18.9	15.7	8.35
10.2V	228	140	87.5	55.8	39.8	31.2	26.5	23.4	18.7	15.7	8.32
10.5V	221	137	84.8	55	39.5	31	26.4	23.3	18.6	15.6	8.27
10.8V	209	132	82	53.6	38.7	30.1	25.6	22.6	18	15.5	8.22

Constant power discharge characteristics unit: Watt/Block (at 25°C, 77°F)

F.V/Time	15min	30min	60min	2h	3h	4h	5h	6h	8h	10h	20h
9.60V	2669	1653	1039	656	474	372	318	280	225	188	100
9.90V	2605	1620	1023	652	471	370	316	279	224	188	100
10.2V	2508	1571	997	646	468	367	314	277	223	187	99.9
10.5V	2423	1533	966	636	465	365	311	275	221	186	99.3
10.8V	2295	1476	935	620	456	354	302	267	214	185	98.6

Note 1: Above characteristics data can be obtained within three charge and discharge cycles.

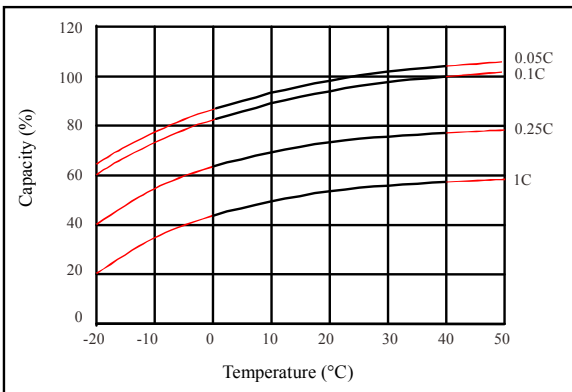
● Discharge characteristics (25°C)



● Charging characteristics (25°C)



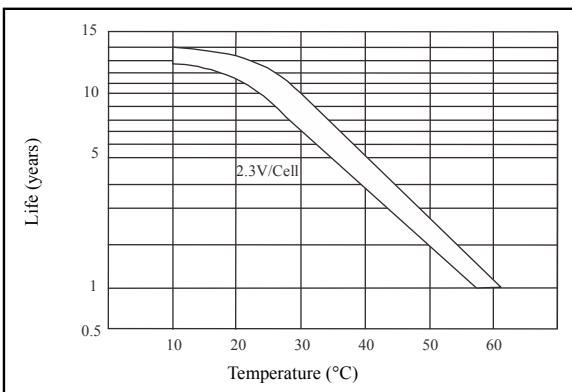
● Temperature effects on capacity



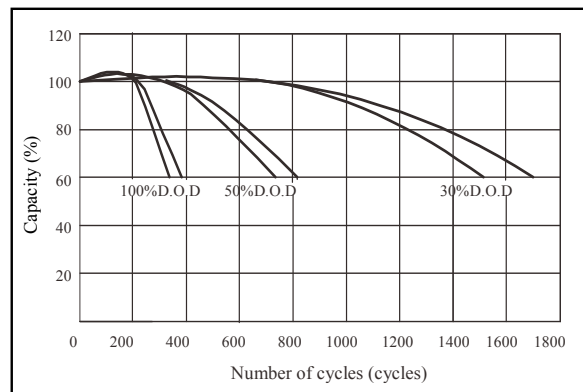
● Self-discharge characteristics



● Floating life on temperature



● Cycle life on D.O.D (25°C)



● Relationship for OCV and capacity (25°C)



● Relationship for charging voltage and temperature

